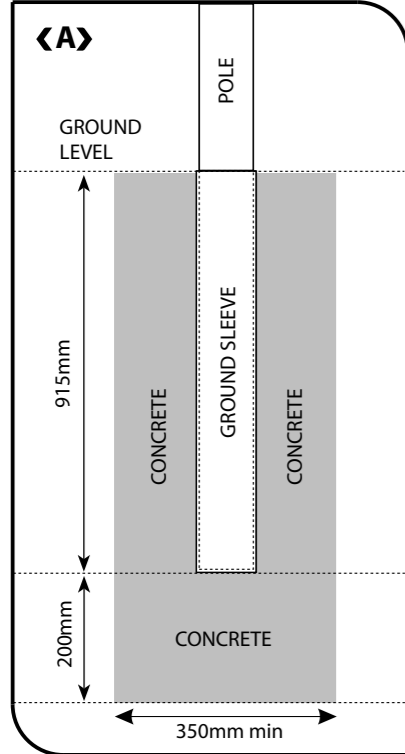
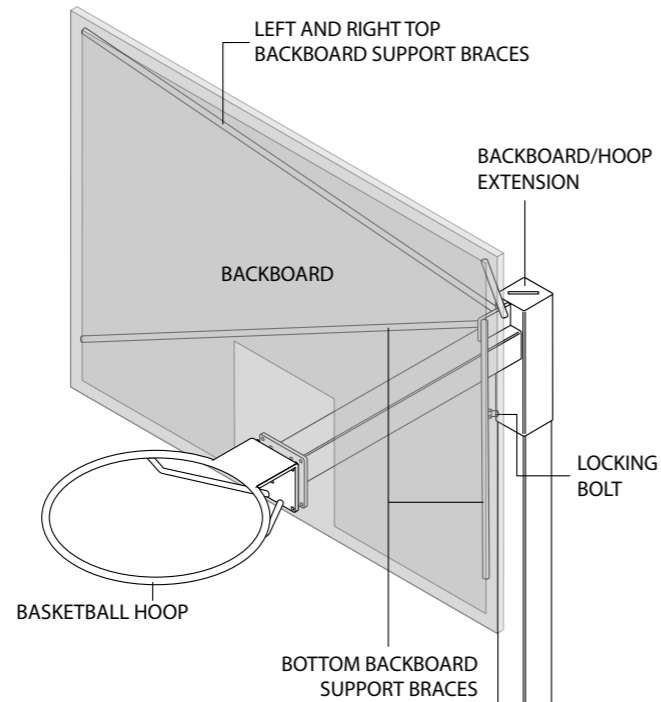
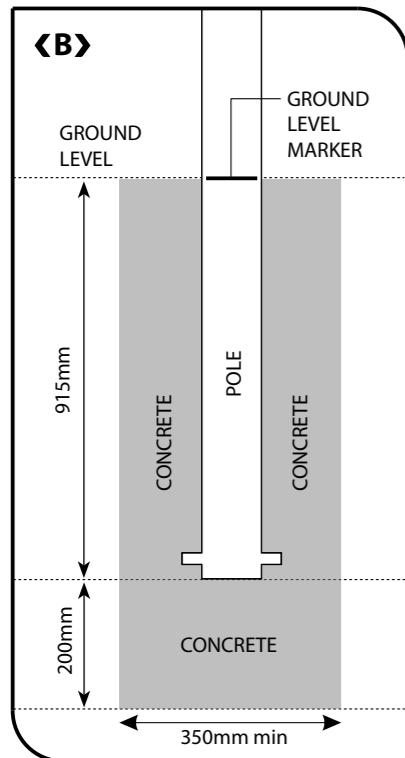


**GROUND INSTALLATION:**

REMOVABLE POLE INSTALLATION:

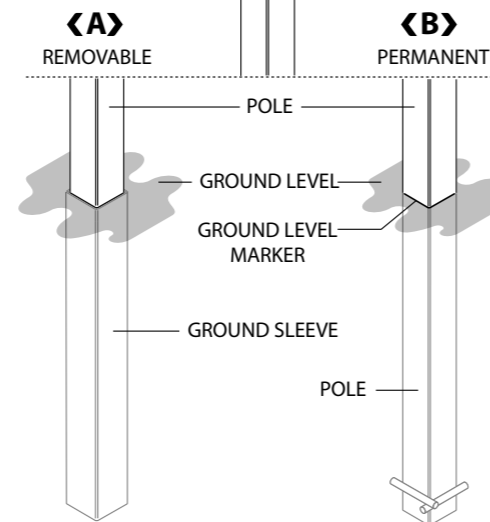
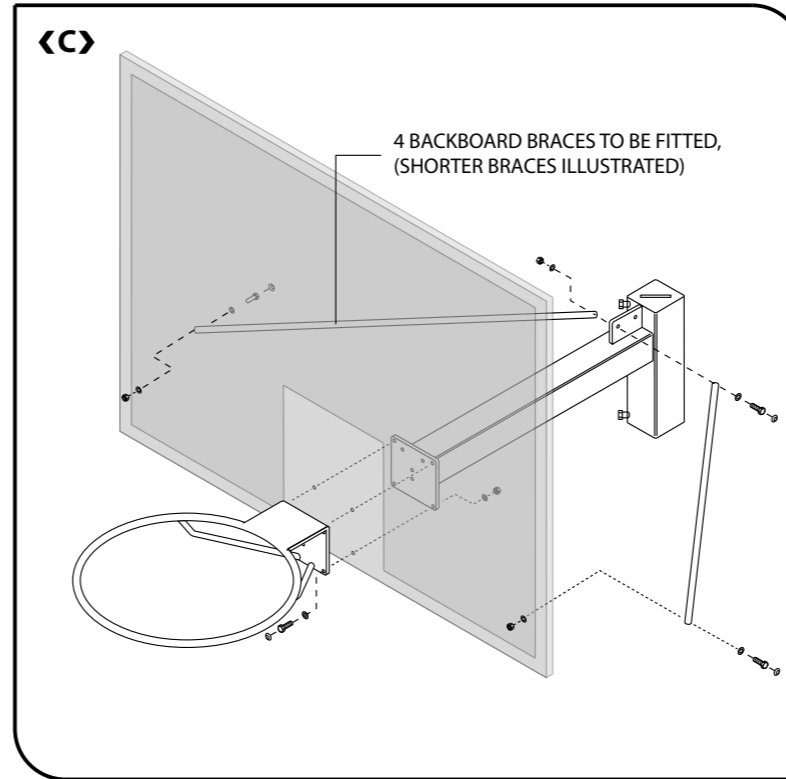


PERMANENT POLE INSTALLATION:



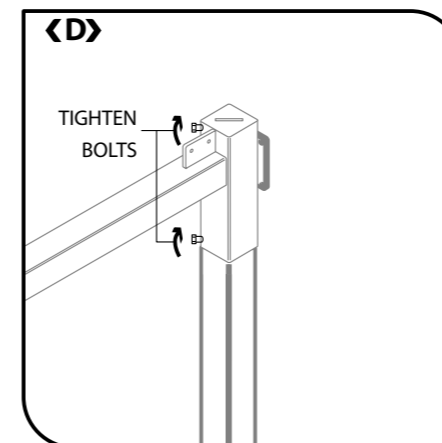
**HOOP, BACKBOARD AND BRACKET ASSEMBLY:**

ATTACHING THE HOOP, BACKBOARD AND BACKBOARD BRACING TO THE BRACKET



**MOUNTING HOOP/BACKBOARD BRACKET ASSEMBLY TO POLE:**

BRACKET - POLE LOCKNUTS



**CONTENTS CHECKLIST:**

- 1 x Pole
- 1 x Ground sleeve (Optional)
- 1 x Backboard
- 1 x Backboard extension with bolts/ bungs (S600 or S1200)
- 4 x Backboard support braces with bolts/ bungs
- 1 x Basketball hoop

**INSTALLATION INSTRUCTIONS:**

**GROUND INSTALLATION:**

**Note:** There are two variations of this product, removable pole <A> and permanent pole <B>. Please follow ground installation instruction A or B relative to the product you are installing.

**Note:** There are two variations of the Backboard extension with different extension length. Extension S600 extends 660mm and Extension S1200 extends 1260mm.

**A: REMOVABLE POLE**

• Prepare the hole. **Note:** The distance from the backboard to the centre of the pole is 660mm for S600 and 1260mm for S1200. Install with the top edge of the ground sleeve at ground level. **Note:** We recommend setting the ground sleeve with the pole inserted to ensure the pole is plumb. Ref. Diag<A>

**B: PERMANENT POLE**

• Prepare the hole. **Note:** The distance from the backboard to the centre of the pole is 660mm for S600 and 1260mm for S1200. Install the pole plumb with the ground level marker at ground level. Ref. Diag<B>

**BASE AND POLE ASSEMBLY:**

**BACKBOARD ASSEMBLY:**

**Note:** If you have access to heavy lifting equipment such as a tractor or elevating work platform this assembly <C> can be done at ground level then lifted onto the pole as a whole. Otherwise, it should be assembled from a ladder or scaffold starting with the backboard on the pole.

• Fasten the basketball hoop through the backboard onto the backboard mount with M8 bolts, nuts and washers. Ref Diag<C>

• Fasten the backboard support braces to the backboard and extension. Ref Diag<C>  
**Note:** The two longer top braces are left and right specific. The two shorter bottom braces are identical and can be placed on either side.

**MOUNTING BACKBOARD BRACKET ASSEMBLY TO POLE:**

• Lift backboard assembly onto the top of the pole, with hoop facing the centre of court. Ref Diag<D>

• Tighten the bolts to eliminate rattle. Ref Diag<D>

**PLAY BALL!**