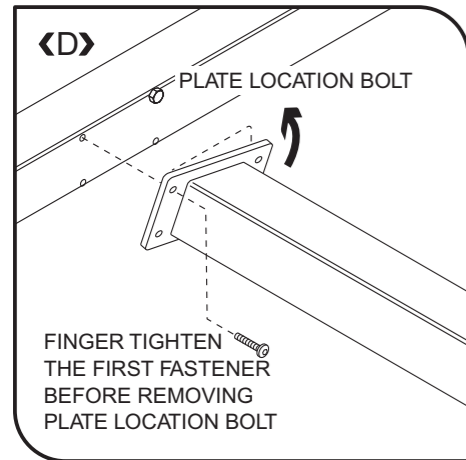
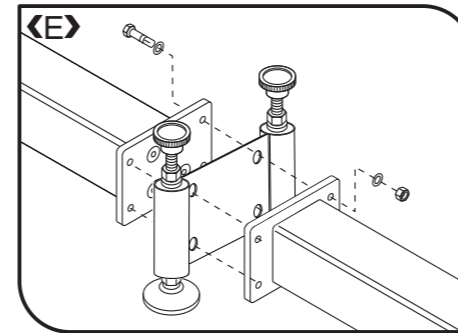


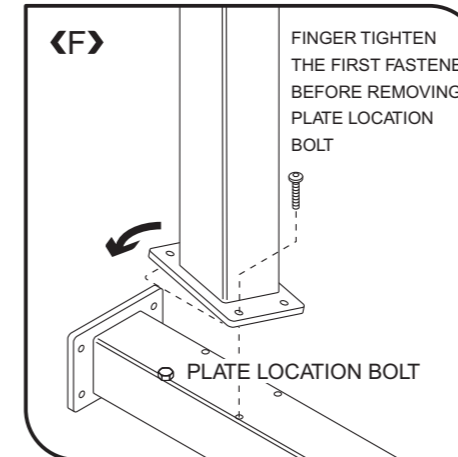
MAIN BEAM TO SUPPORT LEG ASSEMBLY



JOINING THE MAIN BEAMS



PACKAGING BOLTS ASSEMBLY

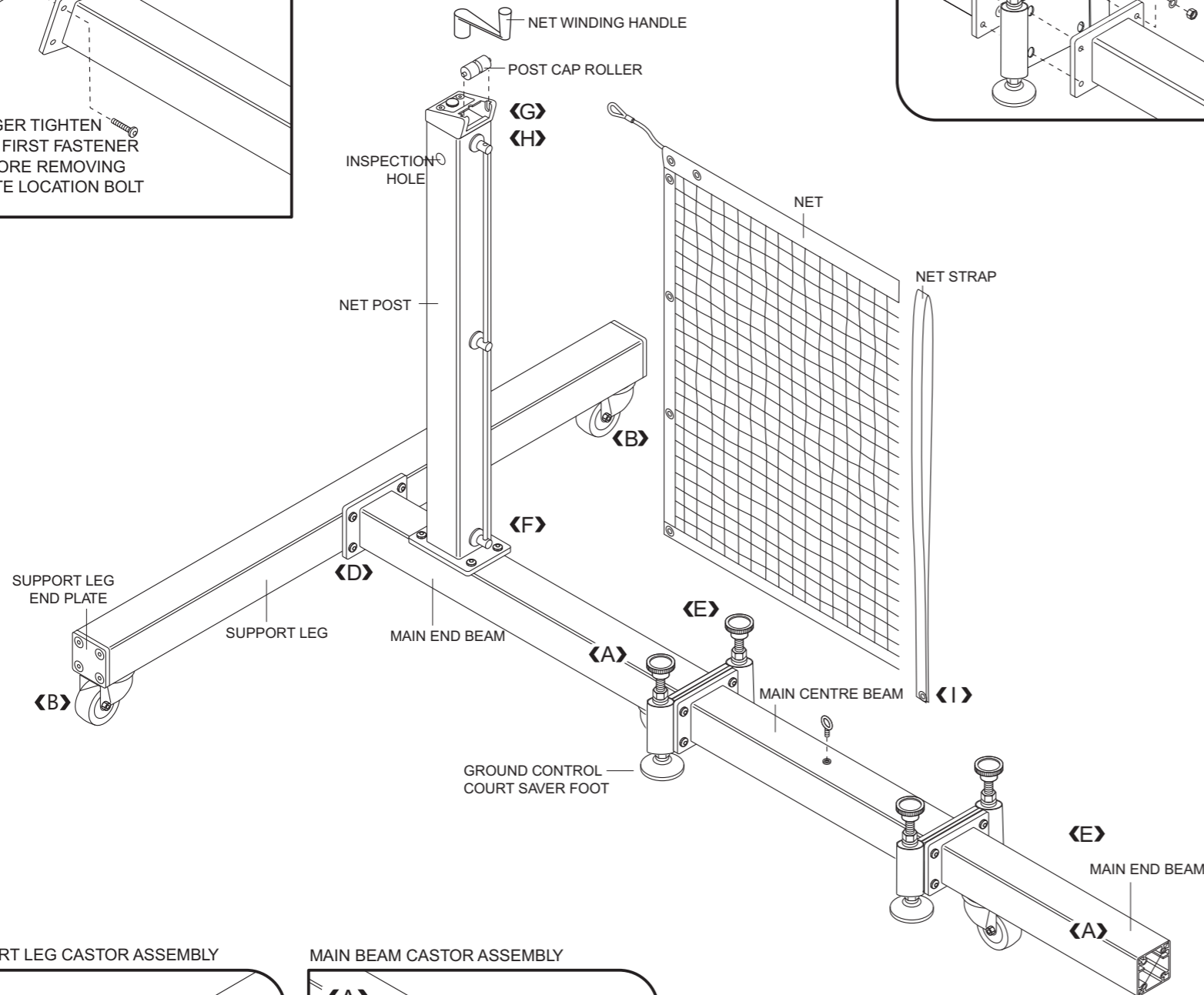


CONTENTS

- 2 x post ground anchors
- 6 x Castors
- 6 x Castor plates, 12 x 60 bolts, nuts and washers
- 4 x Ground control court saver feet, nuts and knobs
- 1 x Net Winding Handle
- 1 x Centre strap, fasteners and anchor
- 2 x Post cap rollers
- 2 x Wheel supports, 1.2m long
- 3 x Main beams 4.0m long

CHECKLIST:

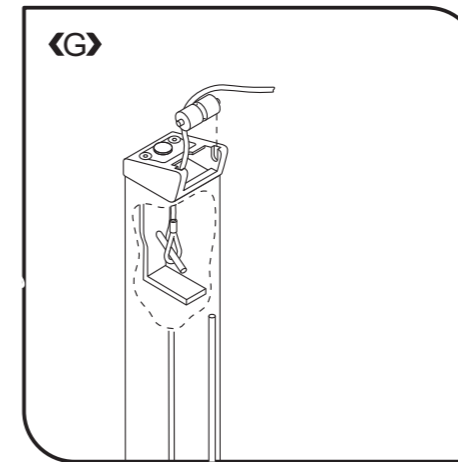
- 4 x Alloy wheel supports and caps
- 16 x 8x30 end caps CKS screws
- 8 x 8x30 bolts, nuts and washers for main beam
- 16 x 8x35 button head post and support leg screws



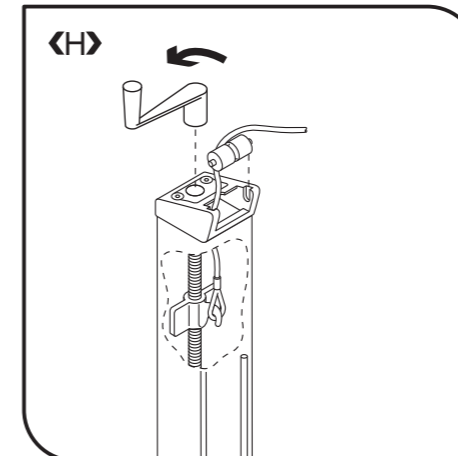
FRAME ASSEMBLY INSTRUCTION:

- Remove main beam packaging bolts.
- Remove end plates at the castor hole end from both main end beams.
- Fit all wheel castors to the main beams and support legs. (6 in total). Note: the position of the castor plate on the castor plate location detail. Ref. Diag <A> & <B>
- When all 6 castors are fitted, refit main beam end plates and support leg end plates. Ref. Diag <A> & <B>
- Insert ground control court saver assembly. Ref. Diag <E>
- Assemble main end beams to support legs. Ref. Diag <D>  
Note: Do not fully tighten until all 6 castor wheels are evenly supporting the frame. Ensure the structure is on level ground.  
Note: Do not remove plate location bolt until one fastener has been finger tightened in place. Then remove and insert the other three screws.
- Wheel ends into place and fasten to main centre beam. Ref. Diag <E> Ensure that the net strap hole on the centre beam is facing upwards.
- Attach net posts to main beam using M8 cap screws. Ref. Diag <F>  
Note: Do not remove plate location bolt until one fastener has been finger tightened in place. Then remove and insert the other three screws. Do not fully tighten until all screws are in place. Repeat at opposite end.

ATTACHING THE NET TO FIXED END POST



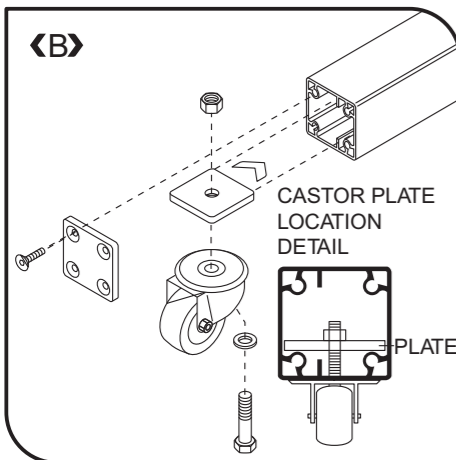
ATTACHING THE NET TO WINDING END POST



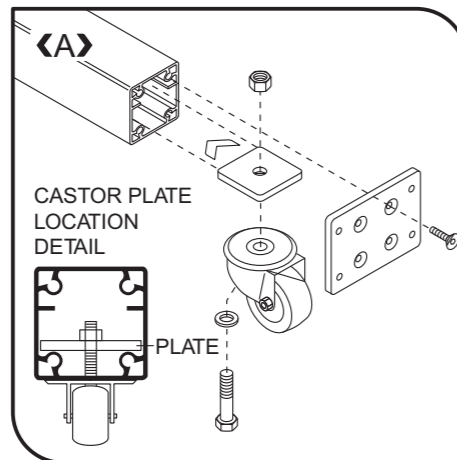
NET FITTING INSTRUCTIONS:

- Fit the net cable to anchor hook inside the fixed end net post. Ref. Diag <G> Use the Inspection hole to locate the anchor.
- Fit the net cable to anchor hook inside winding end net post. Ref. Diag <H> Use the Inspection hole to locate the anchor.
- Lift the cable at each end and insert the post cap rollers.
- Position net strap around top of net and secure with fasteners to the top of the main centre beam. Ref. Diag <I>
- Ensure all bolts and screws are tight prior to tensioning the net.
- Insert the winding handle and tension the net until the net strap is fully extended. Increase the tension two more turns.

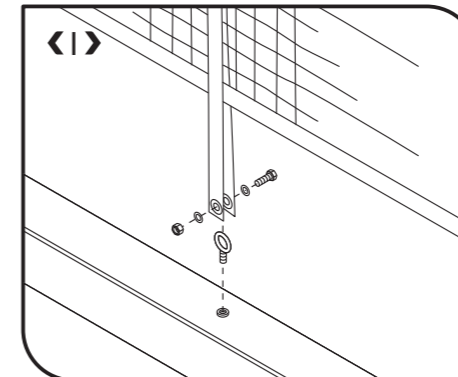
SUPPORT LEG CASTOR ASSEMBLY



MAIN BEAM CASTOR ASSEMBLY



ATTACHING THE NET STRAP



WARNING: DO NOT OVER TENSION